

Submersible Trash Pumps

BHV401S

High Durability! Tough against sand lock employed with vortex flow!

- In combination with small size capacitor motor and light body, body weight has been reduced 60% against former model so that easy transportation is achieved.
- Easy for assembly, disassembly and maintenance.
- Equipped with 3 terminal type auto-cut and high efficiency torque capacitor motor to prevent against motor burning by overload.
- Improved durability by employing double mechanical seal and oil seal.



Applications

- Drainage at construction site
- Pumping and drainage for agricultural purpose
- Drainage at basement and cable pit
- Emergency water supply and drainage at home



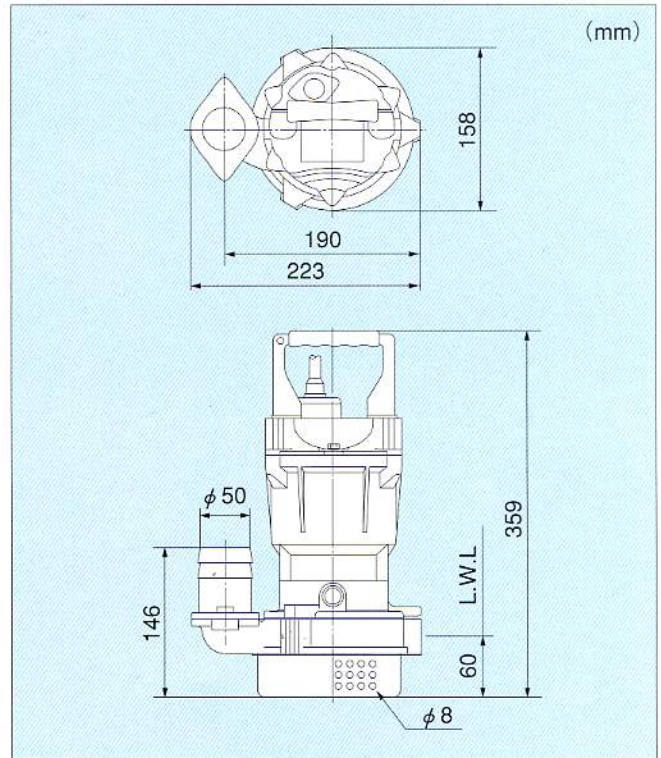
Standard Specifications

Bore (mm)	Model	Output (kW)	Voltage (V)	Q—H		Poles (P)	Weight (kg)
				m ³ /min—m			
				50Hz	60Hz		
50	BHV401S	0.4	Single Phase	0.1—8.0	0.1—8.0	2	10

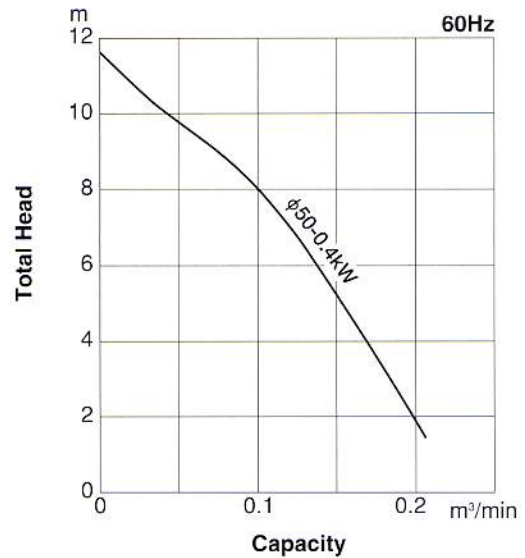
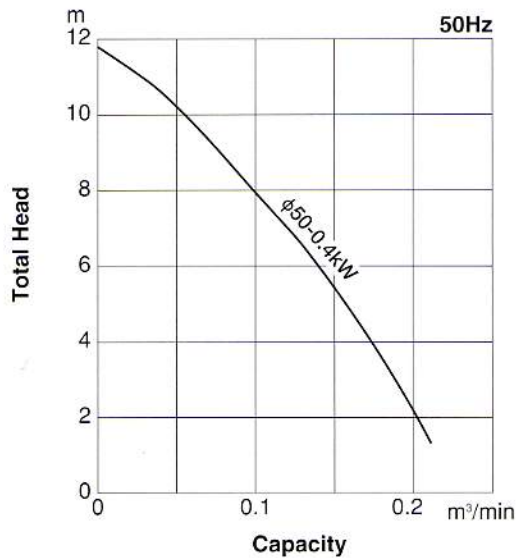
Standard Accessories

- Cable [5m] 1
- Hose Coupling 1

Dimensions



Performance Curves



Specifications and dimensions are subject to change without notice.

ShinMaywa Industries, Ltd.

Overseas Operations Department 2-43, Shitte 3-chome, Tsurumi-ku, Yokohama 230-0003, Japan
 Telephone : +81-45-584-1321 Facsimile : +81-45-584-1320
 e-mail : overseas@sb.shinmaywa.co.jp

ShinMaywa (America), Ltd.

10737 Gateway West, Suite 112
 El Paso, Texas 79935, U.S.A.
 Telephone : +1-915-594-9862
 Facsimile : +1-915-594-9866
 e-mail : salelpasso@aol.com

ShinMaywa (Malaysia) Sdn. Bhd.

Suite 7.3, 7th Floor Menara Aik Hua, Changkat
 Raja Chulan, 50200 Kuala Lumpur, Malaysia
 Telephone : +60-3-2026-2388
 Facsimile : +60-3-2026-2399
 e-mail : smmsb@tm.net.my

ShinMaywa (Asia) Pte. Ltd.

51 Goldhill Plaza #14-01
 Singapore 308900
 Telephone : +65-6224-0728
 Facsimile : +65-6224-9678
 e-mail : Asia.ad@shinmaywa.com.sg



ShinMaywa ONO PLANT

ISO 9001 (No. 956445) / ISO 14001 (No. 771888)